

IBC for liquids - type ZBEI

Non-polluting reusable container made of stainless steel

Application area: • transport and storage of raw materials and products of chemistry-,
finish-, plastics and food industry

Capacity: • 500 - 1.250 litres

Design:

- Material: stainless steel 1.4301 (AISI304) 2B
Tank: alternatively 1.4404 (AISI316L) 2B
1.4571 (AISI316Ti) 2B
- Frame: stainless steel 1.4301 (AISI304)
hot-dip galvanized accord. to EN ISO 1461
- Outer cladding: stainless steel 1.4301 (AISI304)
Further materials on enquiry
- Top head: manhole DN 400 or rather DN 457 with screw cover
2" socket with Tri Sure closing in cover centrally
integrated
1" nozzle with screw cap
1" nozzle with over-/underpressure valve
further connections on request
- Bottom: deep drawn, virtually pocket free bottom outlet
with butterfly valve or ball
Valve
Different coupling systems on request
- Electricity: heating cable 2 KW fixed on shell and bottom
Temperature area up to 150°C
Protection box with heating device
CCE-plug, 3-pole protection class JP44, voltage 230V
1 temperature-sensor for measuring of product temperature
1 temperature-sensor for measuring of heating cable temperature
Option: further temperature sensors
Working-hours meter

On request, the electricity can be designed in Exx
- Frame: 4 forklift holder
4 crane loops on frame supports
- Cladding: homogenously welded
2" socket with Tri Sure closing
- Insulation material: Perlite



Pressures: • max. working pressure up to 0,3 bar

Approvals: • as metal packaging , IBC accord. to ADR, RID and IMDG-code, chapter 6.5 for transport on public traffic
routes for materials of packaging group II and III
• as accumulative- or removable container accord. to TRbF20

Technical Data:

Type	Volume	max. outside dimensions mm			max. weight	max. density
	Litres	Width	Length	Height	kg	kg/l
ZBEI 500	500	1100	1200	1215	290	2,00
	800	1100	1200	1550	325	2,00
	1000	1100	1200	1670	350	2,00
	1250	1100	1200	1960	400	2,00

Options and capacities on request



Yes, gevonden!

*CONSENSYS biedt de oplossingen voor ons!
Bel jij met een aanvraag?*

*>> Gerard Noordhof
op +31 6 3039 2646*

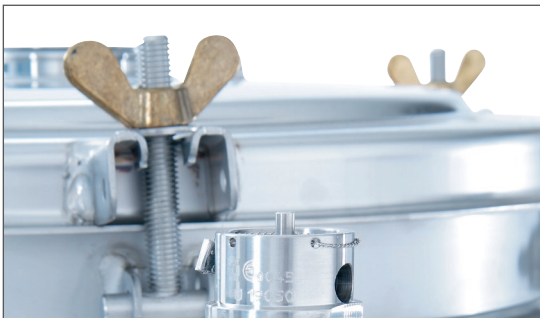
IBC for liquids - type ZBEI

Pre-/vec vent with screw cap central in cover

Installed socket with Tri Sure closing for fixing an stirring station

Lid gasket materials:

- PE
- EPDM, PTFE-enveloped EPDM
- Viton
- NBR
- Silicone



Screw cap with hinge

The closing is effected by 6 hammer bolts with nut wings

Nozzles with screwed over-/underpressure valve

Crane openings in frame supports for fixing of crane tackle or for restoring of crane hooks

Revolving robust transport frame for protection of interior tank

Continuous tightly-welded outer cladding avoids a penetration of wetness in the isolation

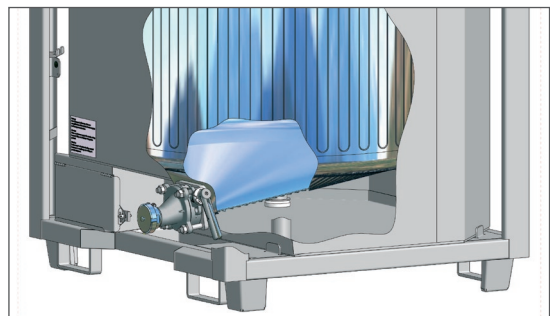


Two digital temperature regulators in connection with two temperature sensors allow a exact temperature regulation between 20 and 150°C

Protection of electricity in a cabinet made of stainless steel

Complete discharge and simple cleaning of container
Deep drawn, virtually pocket-free ground
with directly flanged outlet fitting

forklift holder for safe forklift transport



contactgegevens

CONSENSYS

+31 (0) 334 572 592
info@consensys.nl
www.consensys.nl