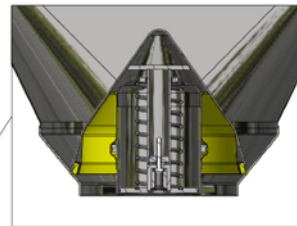
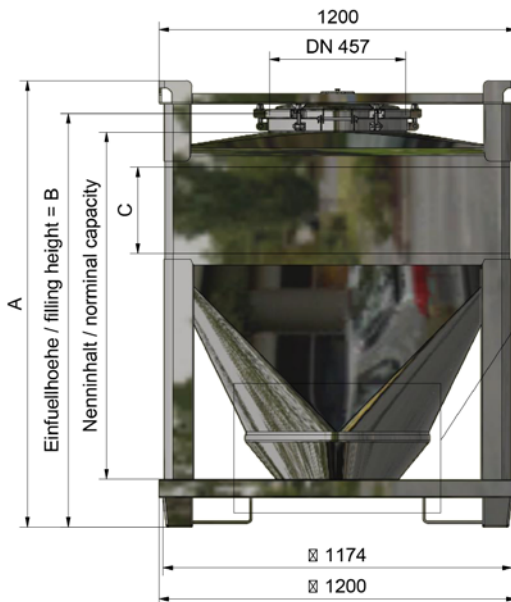
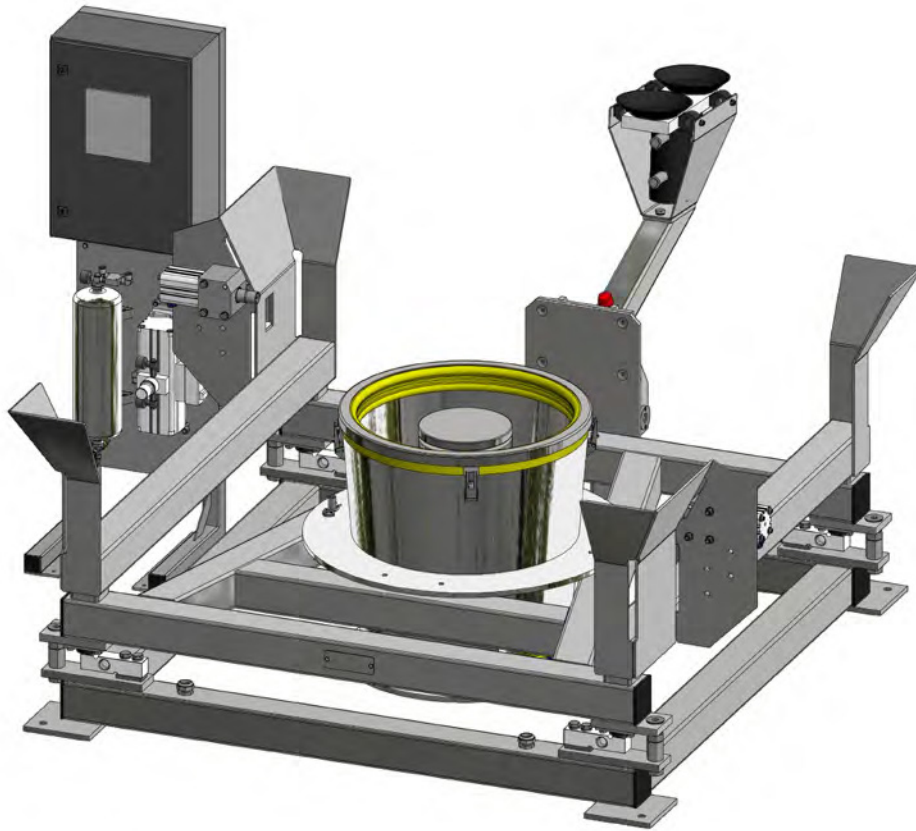


BPK 2 Discharging Stations

Bulk Container Systems

www.ucon.de



Nenninhalt nom. capacity	A	B	C
600	1215	1100	-
1000	1505	1390	290
1200	1655	1540	440
1800	1765	1665	

Yes, gevonden!
CONSENSYS biedt de oplossingen voor ons!
Bel jij met een aanvraag?
>> Gerard Noordhof
op +31 6 3039 2646



FOODSTUFF | PHARMACEUTICALS | METALS

BPK 2 Cone Valve Systems.

UCON Bulk Technology.



		Basic	Plus	Top	
Materials	Product wetted: Stainless Steel AISI 304 / 316L	●/○/○(1)	●/○/○(1)	●/○/○(1)	
	Frame: Stainless Steel AISI 304 / 316Ti	●(1)	●(1)	●(1)	
	Seals: Silicon / PTFE / EPDM	●/●/○	●/●/○	●/●/○	
	Cabinet: Steel painted (RAL 7035) / Stainless Steel	●/^	●/^	●/^	
	Discharge cylinder lifting capacity by 6 bar / 10 bar [kN]	13 / 21	13 / 21	13 / 21	
	Discharge cylinder air amplifier (10 bar)	○	○	○	
	Discharge cylinder lifting height [mm]	130	130	130	
	Outlet connection: flange DN 400 / adaptation	●/^	●/^	●/^	
	Equipment				
	Middle part - Protective cover manually	○	○	●	
Shock mounts / base frame with base plates	●/○	-/●	-/●		
Base frame (height according to the arrangement)	○	○	○		
Container locking	-	●	●		
Linear vibrator with swivel arm	-	○	●		
Vibrator at the container outlet on one side / both sides	-	●/○	●/○		
Rotary vibrator on the outlet	●	●	●		
Base frame with load cells	-	○	●		
Inflatable gaskets between container / discharge station	●	●	●		
Control-Unit					
Pneumatic (pressure supply and valves)	●	●	●		
UCON Discharge-Unit separate operator panel*	○	●	-		
UCON Dosing-Unit with separate operator panel**	-	-	●		
Optional					
ATEX	○	○	○		
EGVo 10/2011 und FDA	○	○	○		

* This unit consist of: Siemens Simatic minicontroller / Text display: parameter for stroke, pulsing and vibrator mode, error messages / PLC Interface

** This unit consist of: Siemens Simatic S7 / Graphic display for intuitive Operation, automatic flow control / Material based dosing parameter with parameter management / Dosing tolerance ± 100 [g] (2) / Automatic and service mode, scale setup, operator management (password) / Graphic of dosing (f/t)

● Standard ○ Optional - Not included ^ By Arrangement (1) Other materials on request (2) Depending on product



Custom, application oriented, solutions upon request.
 Contact us, we look forward hearing from you!

