



Müller DrumTec - Drum Handling Systems

Handling, Vul- en Lediging Systemen

Hoppers

- For emptying in different nominal sizes
- Suitable for Müller drums and customer drums
- Symmetrical in 60° and 90° or asymmetrical
- Customized upon request



The Müller Hopper in detail



Müller butterfly valves

-
- For low-dust powder handling
 - Stainless steel
 - Different nominal sizes
 - Different sealing materials



MC - Valve



- Nominal size 100 – 150 – 200 – 250 – 300
- Sealing materials silicone, viton, EPDM, PTFE with FDA and USP Class VI
- Assembling and disassembling without tools
- Manual or pneumatic valve opening

Manual mode
Standard lever



Manual mode
Extended lever



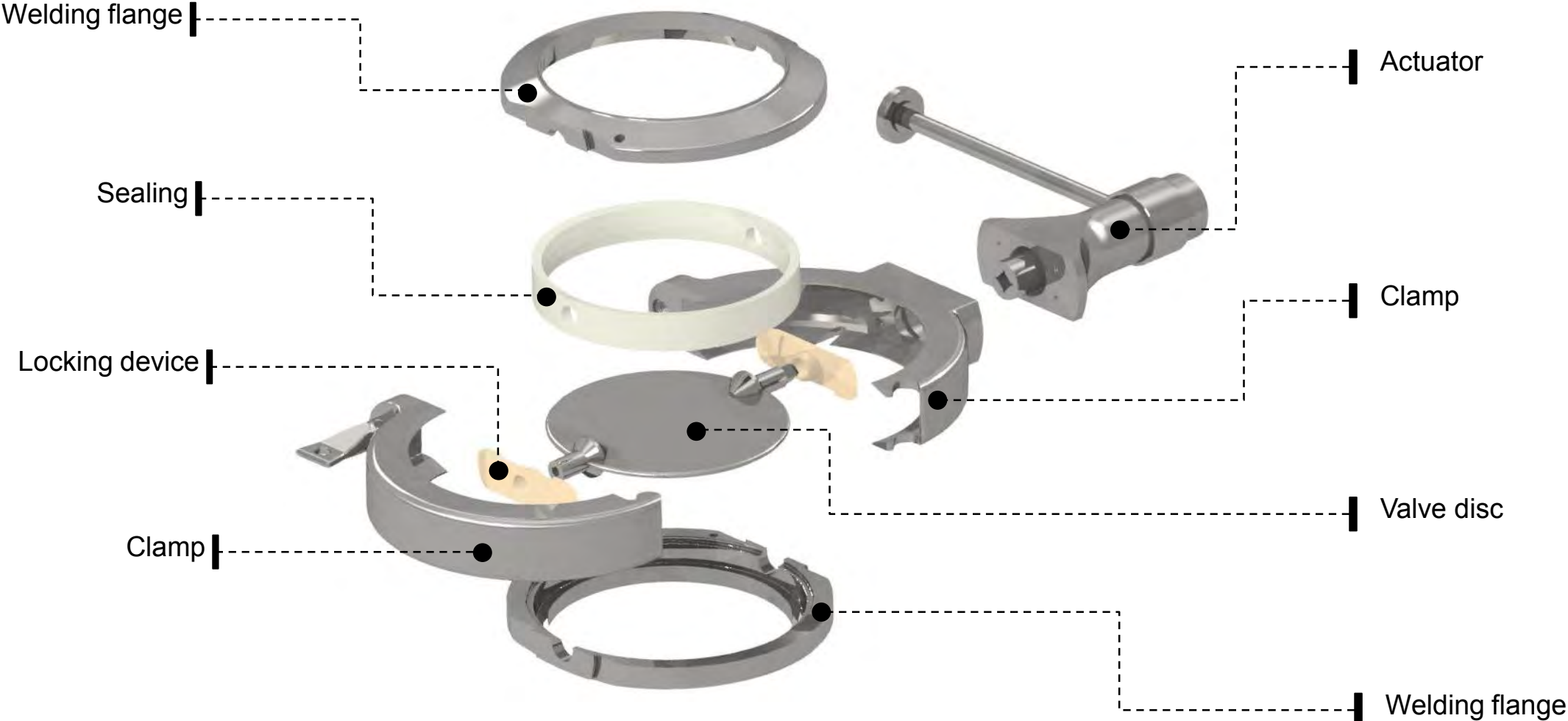
Pneumatic mode
Air / Spring



Pneumatic mode
Air / Air



The Müller MC – Valve in detail



Valve - variants

Dragee - disc



For seamless filling of tablets
and capsules

Rotary



- For easy dosing
- Chamber division in 60°
- Adjustable clocking

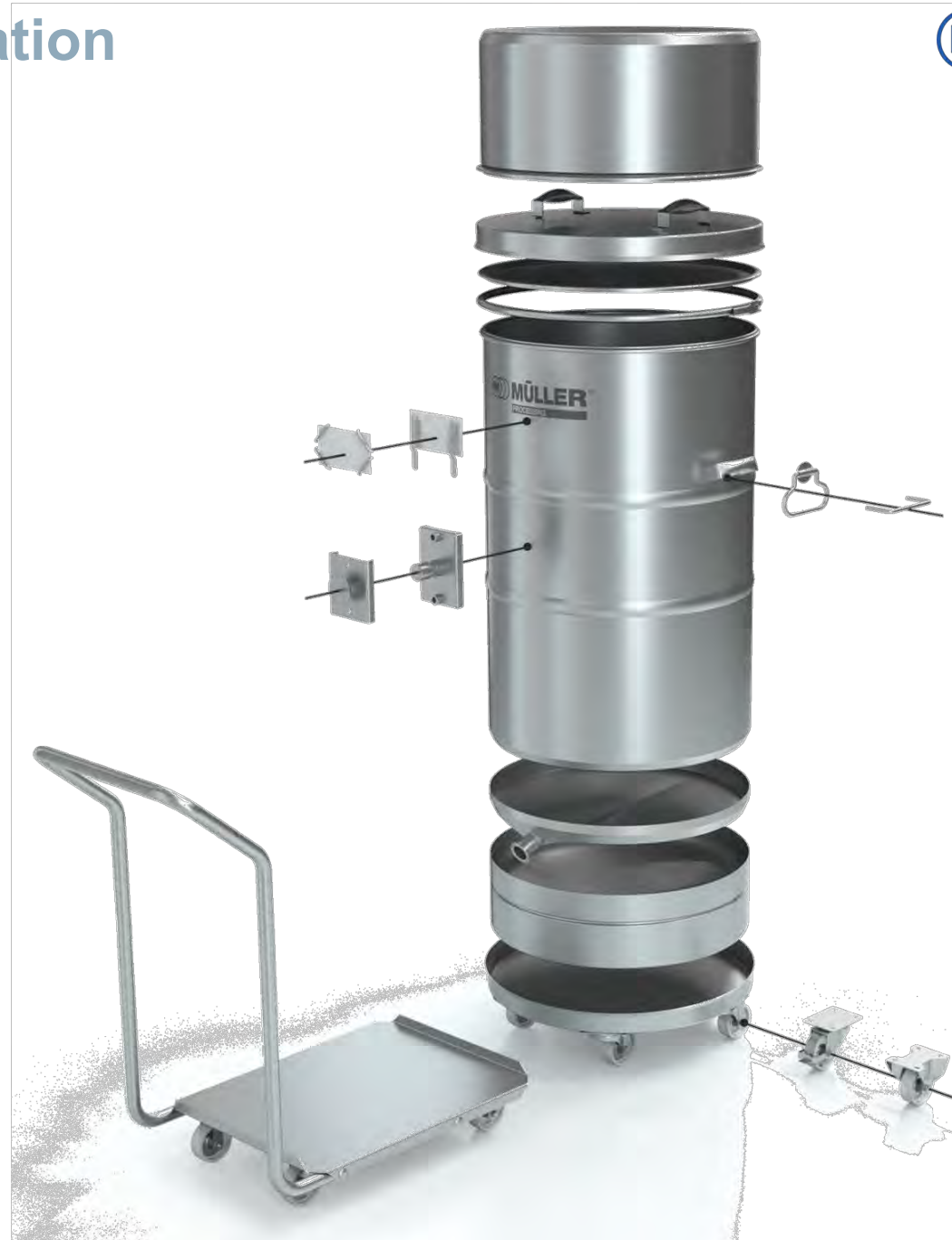
MRF - Valve



- For applications outside the
pharmaceutical industry

Accessories for each application

- Labeling
- Label holder
- Sight glasses
- Carrying handles / drop handles
- Pneumatic vibration unit
- Manual discharge aids
- Pick-up aid (pivot pin)
- Lid hinges
- Drum trucks



Support racks

Hopper nest

- Stationary rack for drum-hopper combination
- For exact positioning to the process machine
- Mounting on the machine or on the wall



Mobile carriage

- Mobile rack for drum-hopper combination and silos
- For flexible transport of the containers

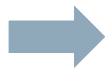


Clamping band & Yoke

- For safe transport with ceiling crane
- For lifting and inverting of drums
- Optionally with inverting gear and handwheel
- Clamping band diameter 315 – 710
- Up to 500 kg loading capacity



Clamping



Connecting



Lifting

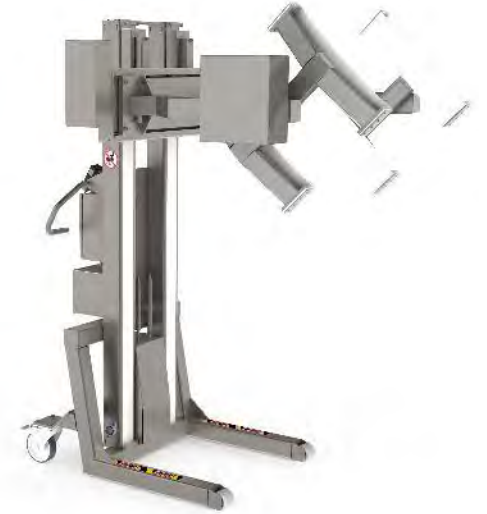


Inverting



Small handling devices

- Up to 250 kg loading capacity
- Lifting – inverting – gripping with electric drives
- High operator convenience
- High ergonomics and mobility
- Precise positioning
- Modular pick-up units for different containers



Low-dust powder handling

- Low-dust filling and emptying of tablet presses, reactors, blenders, mills, sieves or containers
- Simple interface connection through the Müller silicon cap
- For nominal sizes 120 – 170 – 250 – 315 – 400
- With ventilation nozzle for dust-free pressure equalization



Additional suction

Suction hood

- Firmly connected to the line
- For different tube diameters
- Self-centering



Ring suction

- For manual, open filling
- As a mobile carriage or stationary wall rack



Thank you for your attention



**Storage- Transport- and Process
Containers out of Stainless Steel.**

Müller DrumTec GmbH
Industrieweg 5
79618 Rheinfelden (Baden)
T +49 7623 969 0
F +49 7623 969 69
drumtec@mueller-group.com
www.mueller-group.com