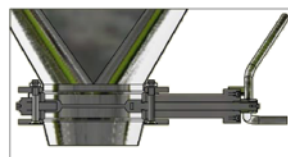
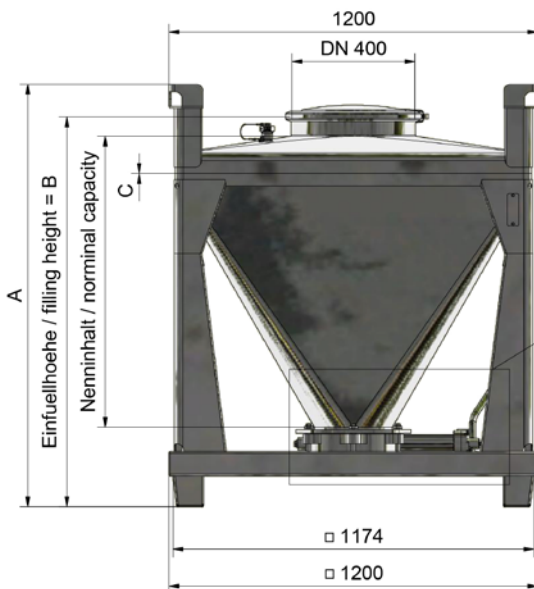
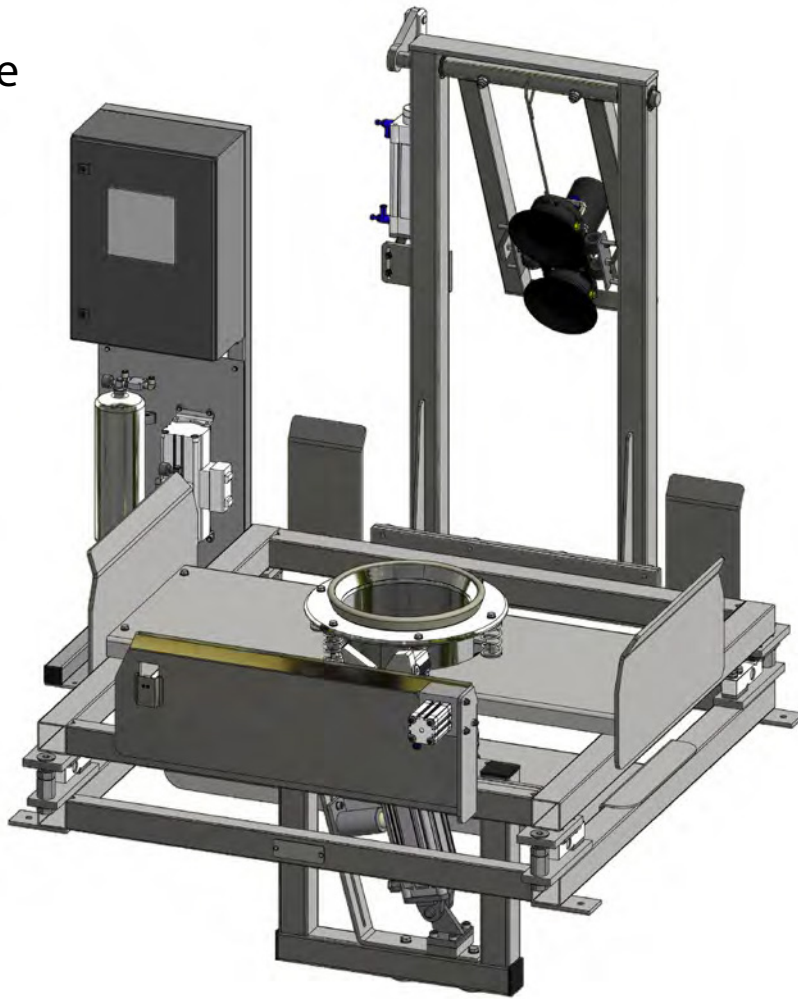


# BP / BPO Discharging Stations

Bulk Container Systems

www.ucon.de



Nenninhalt nom. capacity	A	B	C
600	1353	1251	15
1000	1648	1546	310
1200	1798	1696	460
1500	2023	1921	685

*Yes, gevonden!*

*CONSENSYS biedt de oplossingen voor ons!*

*Bel jij met een aanvraag?*

*>> Gerard Noordhof*

*op +31 6 3039 2646*



# BP/BPO Butterfly Valve Systems

UCON Bulk Technology.



		Basic	Plus	Top	
<b>Materials</b>	Product wetted: Stainless Steel AISI 304 / 316L	●/○/○(1)	●/○/○(1)	●/○/○(1)	
	Frame: Stainless Steel AISI 304 / 316Ti	●/○(1)	●/○(1)	●/○(1)	
	Seals: Silicon / NBR	●/●(1)	●/●(1)	●/●(1)	
	Cabinet: Steel painted (RAL 7035) / Stainless Steel	-	●/^	-/^	
<b>Equipment</b>	Middle part - Protective cover manually	-	○	●	
	Linear vibrator spring-supported / with swivel arm	○/-	●/○	-/●	
	Container locking	-	●	●	
	Opening of the container butterfly valve	-	●	●	
	Base frame (height according to the arrangement)	○	○	○	
	Shock mounts / base frame with base plates	●/○	-/●	-/●	
	<b>Control-Unit</b>	Pneumatic (pressure supply and valves)	-	●	●
Pure pneumatic control unit incl. switches / buttons		-	-	-	
UCON Discharge-Unit separate operator panel: - Siemens Simatic minicontroller - Text display: parameter for stroke, pulsing and vibrator mode, error messages PLC Interface		-	●	-	
UCON Dosing-Unit with separate operator panel: - Siemens Simatic S7 - Graphic display for intuitive Operation, automatic flow control - Material based dosing parameter with parameter management - Dosing tolerance ± 100 [g] (2) - Automatic and service mode, scale setup, operator management (password) - Graphic of dosing (f/t)		-	-	●	
<b>Optional</b>		ATEX	○	○	○
		EGVo 10/2011 and FDA	○	○	○

Not included ^ By Arrangement (1) Other materials on request (2) Depending on product

Custom, application oriented, solutions upon request.  
Contact us, we look forward hearing from you!

*contactgegevens*

**CONSENSYS**

+31 (0) 334 572 592  
 info@consensys.nl  
 www.consensys.nl

